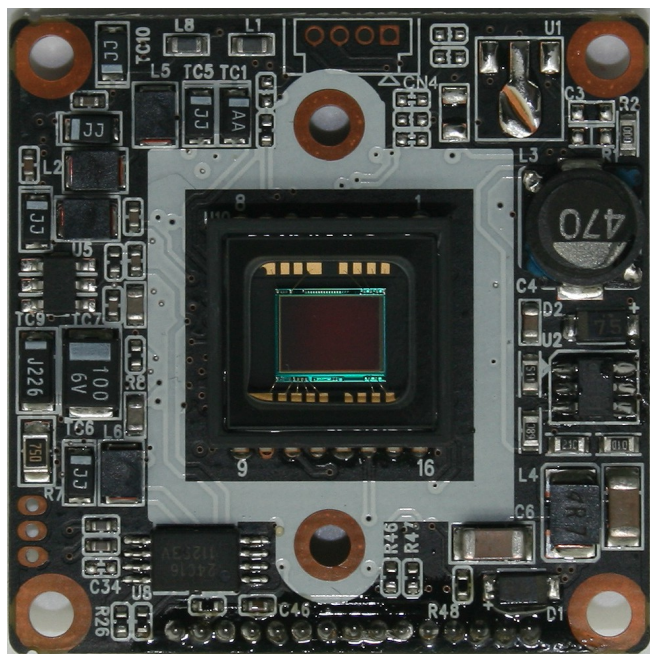


SPM-H32

Image



Key Features

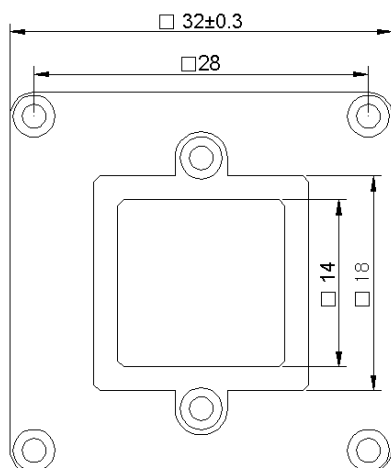
- Sony 1/3 Inch Super HAD II CCD
- Horizontal Resolution 600TV Lines
- Min. Illumination 0.001 Lux
- D-WDR (Wide Dynamic Range)
- DNR (Digital Noise Reduction)
- OSD (On Screen Display)
- Smart IR

Ordering Number

- SPM-H32N : NTSC
- SPM-H32P : PAL

Dimensions

Unit : mm



Technical Specifications

	NTSC	PAL
VIDEO		
Imaging Device	SONY 1/3" Super HAD CCD II	
Signal System	NTSC	PAL
Total Pixels	811(H) x 508(V)	795(H) x 596(V)
Effective Pixels Number	768(H) x 494(V)	752(H) x 582(V)
Scanning System	2:1 Interlace	
Sync System	Internal	
Scanning Frequency	15.734KHz(H)/59.94Hz(V)	15.625KHz(H)/50Hz(V)
Horizontal Resolution	600TV Lines	
Min. Illumination	0.001 Lux @ F1.2	
S/N Ratio	More than 52dB (AGC OFF)	
Video output	CVBS : 1.0Vp-p / 75Ω Composite	
OPERATIONAL		
OSD Language	English, Chinese	
Electronic Shutter Speed	1/60~1/125,000	1/50~1/125,000
Flickerless	1/100sec	1/120sec
Brightness	0~255 Steps	
AGC	OFF/LOW/MIDDLE/HIGH	
DWDR	OFF/ON(0~35 Steps)	
White Balance	ATW1/ATW2/AWC/INDOOR/OUTDOOR/MANUAL	
BLC	OFF/BLC/HLC	
Day & Night	AUTO/COLOR/BW/EXT	
Motion	OFF/ON(4 Position)	
Privacy	OFF/ON(8 Position)	
Park. Line	OFF/ON	
Camera Title	OFF/ON	
Camera ID	0 ~ 255	
Protocol	PELCO P/D	
BAUD RATE	2400, 4800, 9600, 19200, 38400, 57600	
Lens Shading	OFF/ON(0~255 Steps)	
DNR	OFF/ON	
MIRROR	OFF/ON	
Font Color	ID & TITLE	
Contrast	0 ~ 255 Steps	
Sharpness	0 ~ 31 Steps	
Display	CRT/LCD/USER	
Negative Image	OFF/ON	
ENVIRONMENTAL		
Operating Temperature	-10℃ ~ +50℃	
Operating Humidity	Less than 80% RH	
ELECTRICAL		
Input Voltage	DC12V ±10%	
Power Consumption	Max. 1.0W	
MECHANICAL		
Dimensions	32mm x 32mm x 1.0 mm	
Weight	T.B.D	