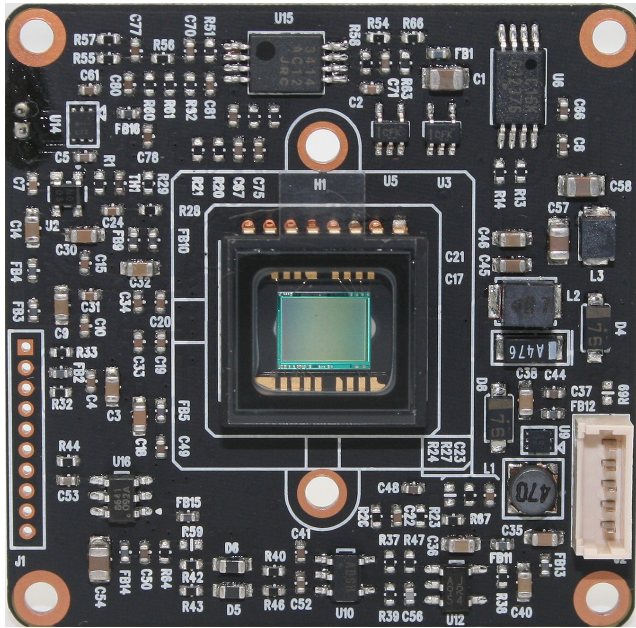


## SPM-G38

### Image



### Key Features

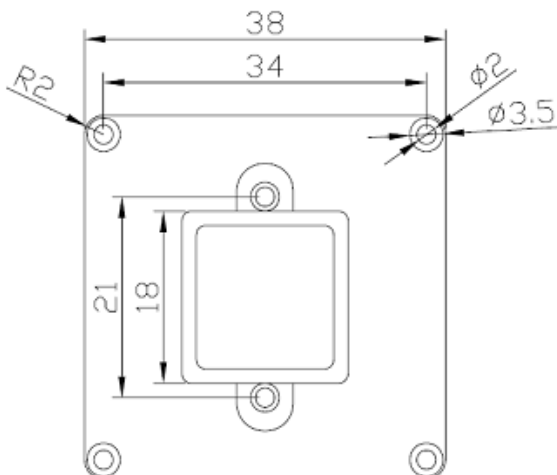
- 1/3" SONY Exview HAD CCD II
- Horizontal Resolution 650TV Lines
- Min. Illumination 0.00002 Lux @ F1.2
- WDR(15fps)/D-WDR/BLS/HSBLC
- 2D/3D DNR (Digital Noise Reduction)
- Motion Detection
- Privacy Masking
- Coaxial Control
- De-Fog

### Ordering Number

- SPM-G38HN : NTSC
- SPM-G38HP : PAL

### Dimensions

Unit : mm



### Technical Specifications

	NTSC	PAL
<b>VIDEO</b>		
Imaging Device	1/3" SONY Exview HAD CCD II	
Signal System	NTSC	PAL
Total Pixels	1020(H) x 508(V)	1020(H) x 596(V)
Effective Pixels Number	976(H) x 494(V)	976(H) x 582(V)
Scanning System	2:1 Interlace	
Sync System	Internal / Line lock / External	
Scanning Frequency	15.734KHz(H)/59.94Hz(V)	15.625KHz(H)/50Hz(V)
Horizontal Resolution	Color : 650TV lines, B/W : 700TV lines	
Min. Illumination	Color : 0.3Lux@F1.2 (50IRE), 0.0006Lux (Sens-up, 512x) B/W : 0.01Lux@F1.2 (50IRE), 0.00002Lux (Sens-up, 512x)	
S/N Ratio	More than 52dB (AGC OFF)	
Video output	CVBS : 1.0Vp-p / 75Ω Composite	
<b>OPERATIONAL</b>		
OSD Language	English / Chinese / Korean/Japanese/French/Italian/ Spanish/Portuguese/Dutch/German/Polish/Russian/ Turkish/Arabian/Hebrew	
Electronic Shutter Speed	1/60~1/120,000	1/50~1/120,000
Flickerless	1/100sec	1/120sec
Brightness	Support	
AGC (Auto Gain Control)	Off / Low / Middle / High	
Sens-up (Frame Integration)	2x ~ 512x	
Backlight Compensation	Off / WDR(15fps) / D-WDR / BLC / HSBLC	
Wide Dynamic Range	64 [dB]	
De-Fog	Off/On	
Digital Noise Reduction	2D/3D DNR	
White Balance	ATW / AUTO / AWC (Push) / Manual	
Day & Night	Auto (ICR) / SMART IR / Day / Night	
Motion Detection	Built-in	
Privacy Masking	Rectangle 8 Zone Circle 4 Zone Polygon 2 Zone	
Camera Title	Off / On (Displayed 15 characters)	
Digital Zoom	Off / On (1x ~ 16x)	
D-Effect	Off / Mirror / Rotate / V-Flip	
Alarm	1 Out	
Communication	Coaxitron control, RS-485, RS-232C 3.3V Level	
Protocol	Coax : Pelco-C (Coaxitron) LG / PELCO-D / PELCO-P	
<b>ENVIRONMENTAL</b>		
Operating Temperature	-10°C ~ +50°C (+14°F ~ +122°F)	
Operating Humidity	Less than 80% RH	
<b>ELECTRICAL</b>		
Input Voltage	DC12V ±10%	
Power Consumption	Max. 1.2W	
<b>MECHANICAL</b>		
Dimensions	38mm x 38mm x t1.0mm	
Weight	8g	