

Image



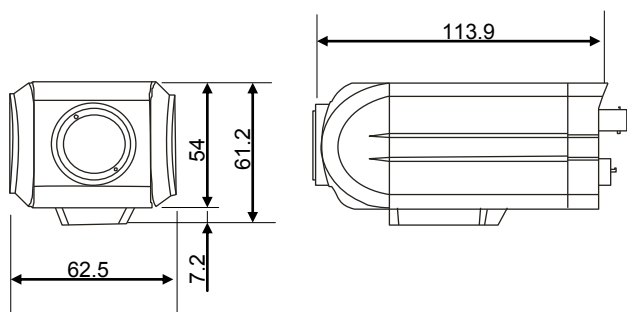
Lens is sold separately

Key Features

- 1/3 Inch 2.1MP Progressive CMOS
- Digital: 1920x1080p (30fps@1080p)
1280x720p (60fps@720p)
- Analog : 700TVL
- Min. Illumination 0.001 Lux @ BW DSS
- True Day & Night
- WDR/ACE(D-WDR)/BLC/HLC
- 2D/3D DNR (Digital Noise Reduction)
- Privacy Masking / Motion Detection
- Motion Detection
- Lens Shading Compensation
- De-Fog
- Pelco D/P Protocol

Dimensions

Unit : mm



Technical Specifications

Model	SPHC-420NA2-T
VIDEO	
Imaging Device	1/3" Progressive CMOS Sensor
Total Pixels	2010(H) x 1108(V) 2.2MP
Effective Pixels	1944(H) x 1092(V) 2.1MP
Scanning System	Progressive
Resolution	Digital : 1920 x 1080p (30fps @ 1080p) 1280 x 720p (60fps @ 720p) Analog : 700TVL
Min. Illumination	Color : 1.0Lux@F1.2 , 0.002Lux@F1.2(Sense up) BW : 0.5Lux@F1.2 , 0.001Lux@F1.2(Sense up)
S/N Ratio	More than 50dB (AGC OFF)
Video output	HD-SDI : BT.1120 Analog : NTSC / PAL (Without WDR function)
OPERATIONAL	
OSD Language	English
Electronic Shutter Speed	Auto/Manual(1/30(1/25) ~1/60,000 sec)
Flickerless	ON/OFF
Brightness	0~20
AGC (Auto Gain Control)	ON/OFF
Sens-up (Frame Integration)	OFF / 2x /3x /4x
Backlight Compensation	OFF / WDR / BLC
ACE(D-WDR)	ON/OFF
High Light Compensation	ON/OFF
Smart IR	ON/OFF
Shading	ON/OFF
Defog	ON/OFF
Digital Noise Reduction	OFF / Low/ Middle / High / Auto (2D+3D DNR)
White Balance	AUTO / One Push / Manual / Indoor / Outdoor
Day & Night	Auto (ICR) / Day / Night / EXT
Motion Detection	ON/OFF (4 points)
Privacy	ON/OFF (32 Points)
Camera Title	Editable
Digital Zoom	Off / On (1x ~ 32x)
D-Effect	Off / Mirror / Rotate / V-Flip
Communication	Pelco D/P
ENVIRONMENTAL	
Operating Temperature	-10℃ ~ +50℃
Operating Humidity	Less than 80% RH
Storage Temperature	-20℃ ~ +60℃
Storage Humidity	Less than 90% RH
ELECTRICAL	
Input Voltage	DC12V ±10%
Power Consumption	Max. 3.0W
MECHANICAL	
Color	Dark Grey
Material	Aluminum
Dimensions (W x H x D)	62.5 x 54 x 113.9 mm
Weight	Approx. 300g

All specifications are subject to change without notice