

Image



Lens is sold separately

Key Features

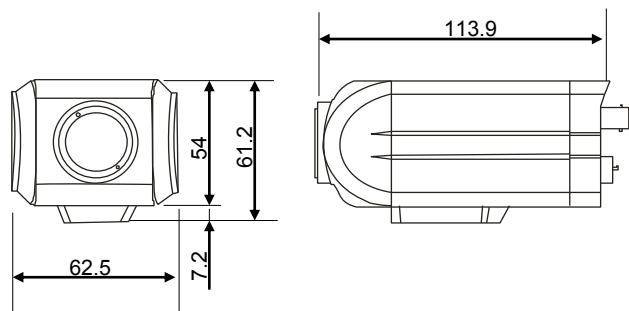
- 1/3 Inch CCD Image Sensor
- Horizontal Resolution 700TV Lines
- Min. Illumination 0.0006 Lux @ F1.2 (Color, Sense up 512x)
- D-WDR
- True Day & Night (Option)
- 2D/3D DNR (Digital Noise Reduction)
- C/CS MOUNT
- DC12V

Ordering Number

- SPC-335NA2: NTSC, Non-TDN
- SPC-335NA2-T : NTSC, TDN
- SPC-335PA2 : PAL, Non-TDN
- SPC-335PA2-T: PAL , TDN

Dimensions

Unit : mm



Technical Specifications

Model	SPC-335NA2	SPC-335PA2
VIDEO		
Imaging Device	1/3" 960H CCD Sensor	
Signal System	NTSC	PAL
Total Pixels	1020(H) x 508(V)	1020(H) x 596(V)
Effective Pixels Number	976(H) x 494(V)	976(H) x 582(V)
Scanning System	2:1 Interlace	
Sync System	Internal	
Scanning Frequency	15.734KHz(H)/59.94Hz(V)	15.625KHz(H)/50Hz(V)
Horizontal Resolution	700TV Lines	
Min. Illumination	0.0006 Lux @ F1.2(Color mode, Sense up 512x)	
S/N Ratio	More than 50dB (AGC OFF)	
Video output	CVBS : 1.0Vp-p / 75Ω Composite	
LENS		
Mount Type	C/CS Mount	
Lens Type	DC Auto iris	
OPERATIONAL		
OSD Language	English, Chinese, Simplified Chinese	
Electronic Shutter Speed	1/60~1/120,000	1/50~1/120,000
Flickerless	1/100sec	1/120sec
Brightness	0~20	
AGC	OFF/ON	
DWDR	OFF/Manual/Auto	
White Balance	ATW/Push/MANUAL	
BLC	OFF/BLC/HLC	
Day & Night	Day/Night/Auto/EXT/CDS	
Motion	OFF/ON(4 Area)	
Privacy	OFF/ON(8 Area)	
Defog	OFF/Manual/Auto	
Camera Title	OFF/ON	
Camera ID	0 ~ 255	
Protocol	PELCO P/D , Coaxitron(Pelco C)	
BAUD RATE	2400, 4800, 9600, 19200, 38400, 57600, 115200	
Lens Shading	OFF/ON(0~20 Steps)	
DNR	OFF/Low/Middle/High	
MIRROR	OFF/ON	
Display	Disp Sel/Set Title/Language/Setup status	
Display Sel.	ID/TITLE	
Sharpness	0 ~ 20	
Gamma	0.35~0.70	
ENVIRONMENTAL		
Operating Temperature	-10℃ ~ +50℃	
Operating Humidity	Less than 80% RH(Non-condensing)	
ELECTRICAL		
Input Voltage	DC12V ±10%	
Power Consumption	Max. 2.0W	
MECHANICAL		
Color	Dark Grey	
Material	Aluminum	
Dimensions	62.5 x 54 x 113.9 mm	
Weight	Approx. 300g	

All specifications are subject to change without notice