

### Image



Lens is sold separately

### Key Features

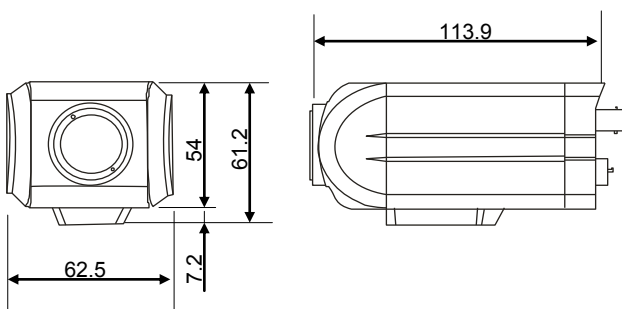
- Sony 1/3 Inch Super HAD II CCD
- Horizontal Resolution 650TV Lines
- Min. Illumination 0.0006 Lux @ F1.2 ( Color , sense up 512x)
- WDR/ D-WDR
- True Day & Night ( Option)
- 2D/3D DNR (Digital Noise Reduction)
- C/CS MOUNT
- DC12V

### Ordering Number

- SPC-205NA2 : NTSC, Non-TDN
- SPC-205NA2-T : NTSC, TDN
- SPC-205PA2 : PAL, Non-TDN
- SPC-205PA2-T: PAL , TDN

### Dimensions

Unit : mm



### Technical Specifications

Model	SPC-205NA2	SPC-205PA2
<b>VIDEO</b>		
Imaging Device	SONY 1/3" 960H Super HAD II CCD	
Signal System	NTSC	PAL
Total Pixels	1020(H) x 508(V)	1020(H) x 596(V)
Effective Pixels Number	976(H) x 494(V)	976(H) x 582(V)
Scanning System	2:1 Interlace	
Sync System	Internal	
Scanning Frequency	15.734KHz(H)/59.94Hz(V)	15.625KHz(H)/50Hz(V)
Horizontal Resolution	Color : 650TV lines, B/W : 700TV lines	
Min. Illumination	Color : 0.3Lux@F1.2 (50IRE), 0.0006Lux (Sens-up, 512x) B/W : 0.01Lux@F1.2 (50IRE), 0.00002Lux (Sens-up, 512x)	
S/N Ratio	More than 52dB (AGC OFF)	
Video output	CVBS : 1.0Vp-p / 75Ω Composite	
<b>LENS</b>		
Mount Type	C/CS Mount	
Lens Type	DC Auto Iris	
<b>OPERATIONAL</b>		
OSD Language	English / Chinese / Korean/Japanese/French/Italian/ Spanish/Portuguese/Dutch/German/Polish/Russian/ Turkish/Arabian/Hebrew	
Electronic Shutter Speed	1/60~1/120,000	1/50~1/120,000
Flickerless	1/100sec	1/120sec
Brightness	Support	
AGC (Auto Gain Control)	Off / Low / Middle / High	
Sens-up (Frame Integration)	2x ~ 512x	
Backlight Compensation	Off / WDR / D-WDR / BLC / HSBL	
Wide Dynamic Range	64 [dB]	
De-Fog	Off/On	
Digital Noise Reduction	Off/On (2D/3D DNR)	
White Balance	ATW / AUTO / AWC (Push) / Manual	
Day & Night	Auto (ICR) / External / Day / Night	
Motion Detection	Built-in	
Privacy Masking	Rectangle 8 Zone Circle 4 Zone Polygon 2 Zone	
Camera Title	Off / On (Displayed 20 characters)	
Digital Zoom	Off / On (1x ~ 16x)	
D-Effect	Off / Mirror / Rotate / V-Flip	
Communication	Pelco P/D , Coaxitron control	
<b>ENVIRONMENTAL</b>		
Operating Temperature	-10℃ ~ +50℃	
Operating Humidity	Less than 80% RH	
<b>ELECTRICAL</b>		
Input Voltage	DC12V ±10%	
Power Consumption	Max. 2.0W	
<b>MECHANICAL</b>		
Color	Dark Grey	
Material	Aluminum	
Dimensions	62.5 x 54 x 113.9 mm	
Weight	Approx. 300g	

All specifications are subject to change without notice