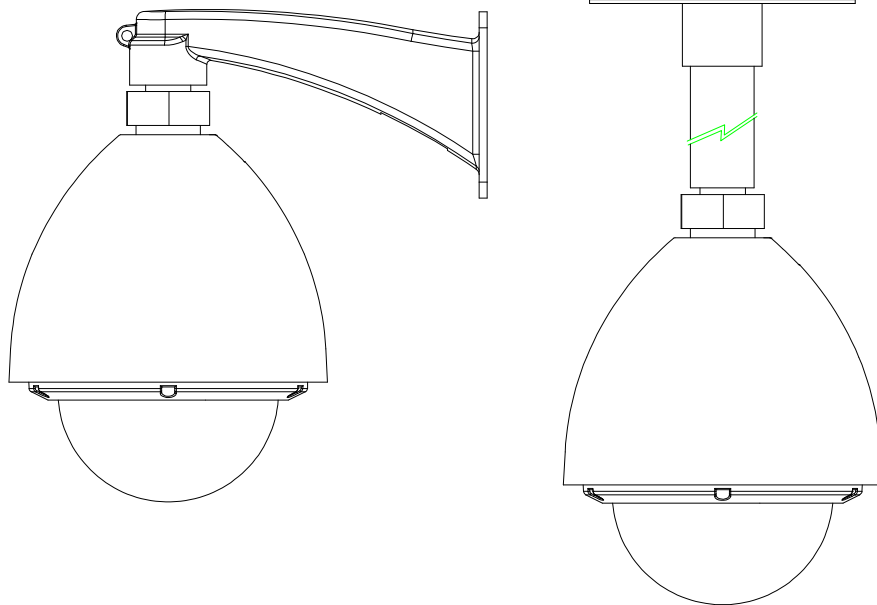


INSTALLATION MANUAL

HSDH-602SH DOME HOUSING



Please read this manual thoroughly before use, and keep it handy for future reference.

1. GENERAL

1.1 IMPORTANT SAFEGUARDS

Prior to install and use of this product, the following WARNINGS should be observed.

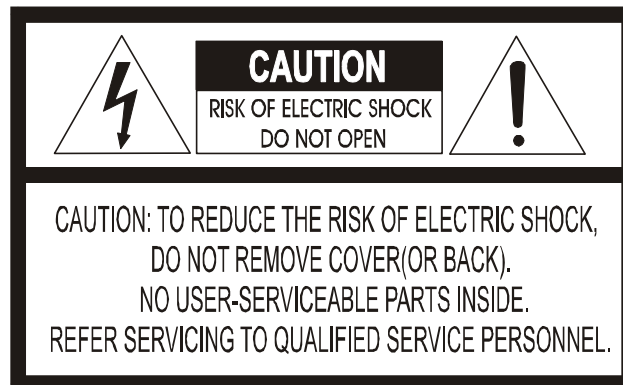
1. Installation and servicing should only be done by qualified service personnel and conform to all local codes.
2. Unless the unit is specifically marked as a IPXX, it is designed for indoor use only and it must not be installed where exposed to rain and moisture.
3. After replacement/repair of this unit's electrical components, conduct a resistance measurement between line and exposed parts to verify the exposed parts have not been connected to line circuitry
4. The installation method and materials should be capable of supporting four times the weight of the housing and dome camera combination.

1.2 WARNING AND CAUTION

WARNING

TO REDUCE THE RISK OF FIRE OR ELECTRIC SHOCK, DO NOT EXPOSE THIS PRODUCT TO RAIN OR MOISTURE. DO NOT INSERT ANY METALLIC OBJECTS THROUGH THE VENTILATION GRILLS OR OTHER OPENINGS ON THE EQUIPMENT.

CAUTION



EXPLANATION OF GRAPHICAL SYMBOLS



The lightning flash with arrowhead symbol, within an equilateral triangle, is intended to alert the user to the presence of uninsulated "dangerous voltage" within the product's enclosure that may be of sufficient magnitude to constitute a risk of electric shock to persons.



The exclamation point within an equilateral triangle is intended to alert the user to the presence of important operating and maintenance (servicing) instruction in the literature accompanying the product.

2. DESCRIPTION

The Indoor/Outdoor dome housing is used with dome camera. The housing is constructed of aluminum and plastic. The housing is designed to be mounted both wall and ceiling. The housing meets international IP66 standards for dust and weatherproof resistance. Outdoor model is available for application to avoid the direct rays of the sun.

3. INSTALLATION

- 1) Anchor bolt should be installed securely on the wall before start install wall mount bracket. See hole pattern for the anchor bolts.

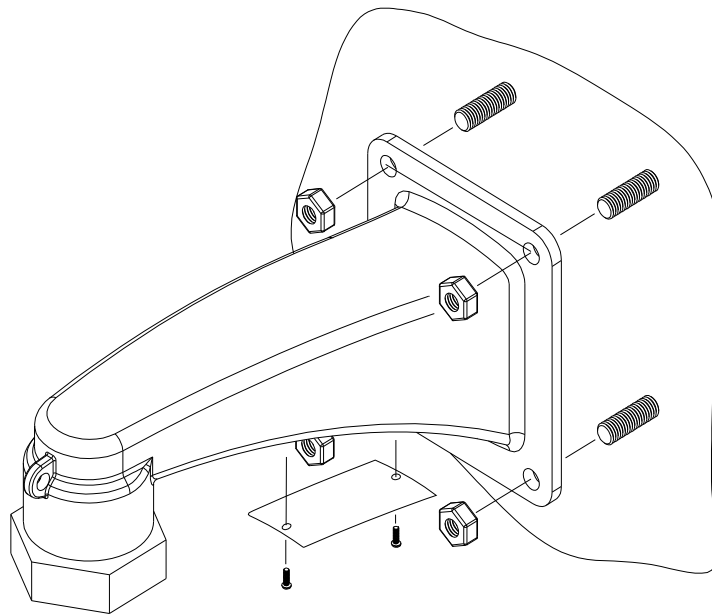
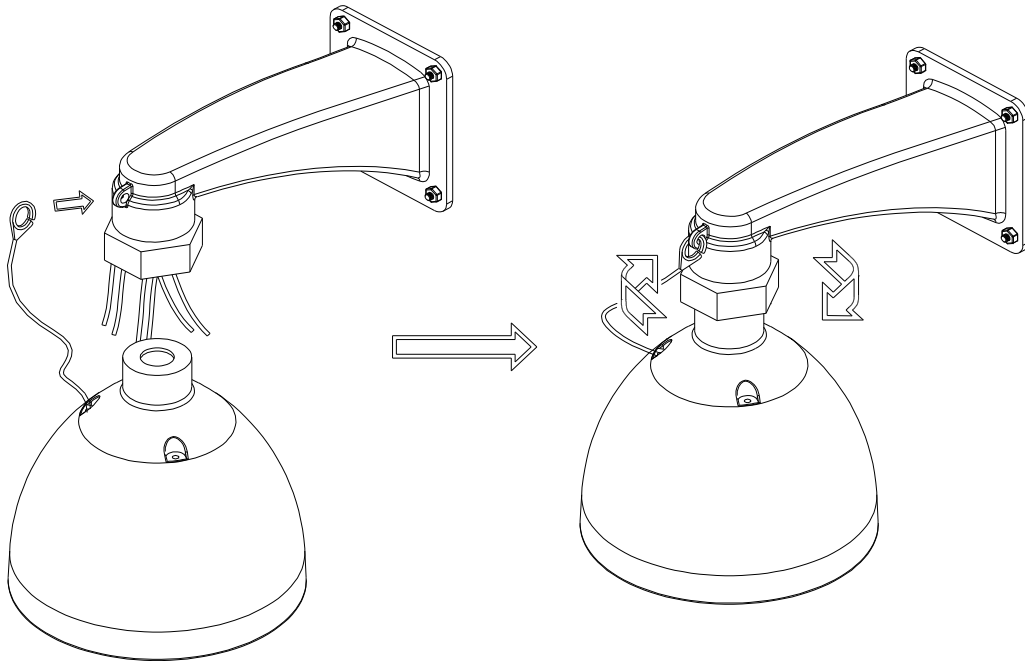


Figure 1.

- 2) Remove cable access hole cover and connect all cables from the wall and supplied cable assembly.
- 3) Hook the safety wire into the wall mount bracket hole. Insert the cable assembly through the cable gland on the top of the pendant housing.

- 4) Fasten the cable gland cap to protect water intrusion. Rotate the universal nut of the wall mount bracket with the pendant housing to put together.

Figure 2.



- 5) Connect 24VAC/2.5A power to the fan/heater PCBA and connect the power and communication wires to the dome camera. See instruction manual of the dome for more detail .

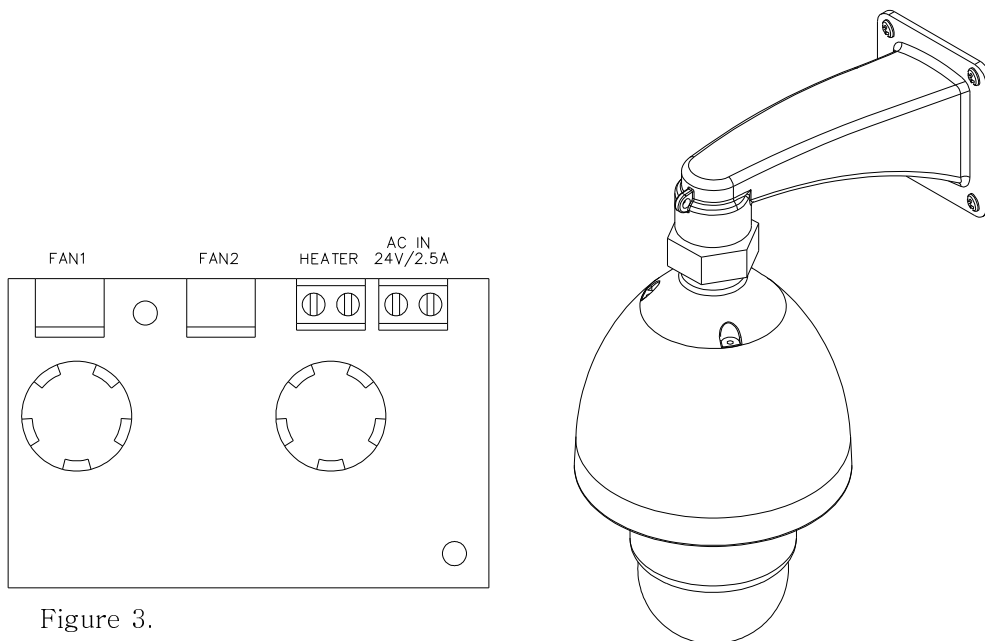


Figure 3.

6) Remove the Desiccant Silica-Gel sachet from the plastic bag where the security driver and screws are located.

With the adhesive tape strip provided, stick the Silica-Gel sachet to the inside of the dome housing. This is used absorb any moisture within the housing and is very important for environmental conditions of the housing.

7) Fasten bubble ring assembly to the housing

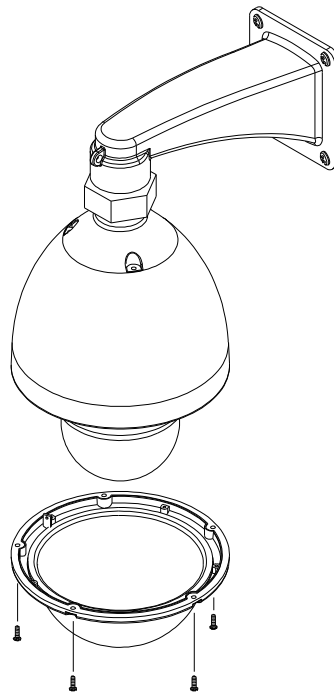


Figure 4.

8) Supply the power to the dome and check if the dome works properly.

4. SPECIFICATIONS

ELECTRICAL	
Power source	24VAC, 50/60Hz
Power consumption	Heater 50watts
	Blower 3watts
	Dome camera 20watts
MECHANICAL	
Construction	Aluminum, Plastic (Acrylic or PC)
Finish	Polyester powder coat
Dome Bubble :	Plastic (Acrylic or PC)
Dimensions :	See Figure 5
Weight :	Indoor Approx. 2.4kg
	Outdoor Approx. 3.0kg
GENERAL	
Ambient Environment Temperature :	-45°C to 50°C

- Weight and dimension are approximate
- Specifications are subject to change without notice.

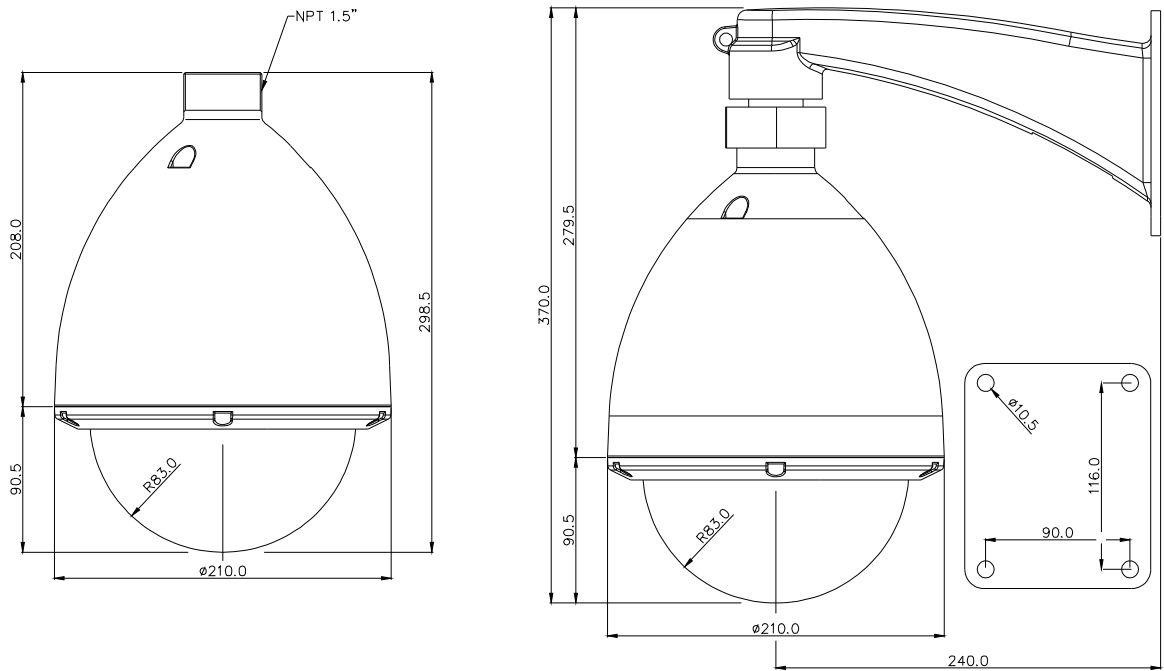


Figure 5

