

# HDC-890A Ser.

※ Thank you for choosing Honeywell HDC-890A camera.  
Please read these instructions carefully before operating this unit, and retain this manual for future reference.  
If you have any problems with this camera, contact your local supplier to service.

## CAUTION for SAFETY OPERATION



### 1. Water and Moisture

To prevent fire or shock hazard, do not expose this camera to rain or moisture.

### 2. Servicing

Do not attempt to disassemble or repair by yourself. You may be exposed to dangerous voltage or other hazards. Note that all servicing is qualified service personnel. Modifications not approved by manufacturer could void the user's authority to operate the equipment.

### 3. Power Sources

To prevent electric shocks and risk of hazards, do NOT use more than the specified power source.

### 4. Environment

Do not install too warm or too cold place. Recommended operation temperature is between -10°C and 50°C

### 5. Sunlight

Do not point the camera at the sun. CCD can be damaged.

### 6. Heavy Shock and Vibration

Do not drop the camera or subject it to heavy shock of vibration.

### 7. Install on an Unstable Place

Do not place or install this camera on an unstable place, stand, tripod, bracket or table. That may cause serious injury to people or damage to appliance.

## 8. When operation is incorrect or a malfunction is observed

While operating, if any abnormal condition (strange sound, smell or smoke) or a malfunction (no pictures, etc.) is observed, stop using the camera immediately, turn the power off, then contact your supplier.

## 9. Cleaning

Turn the power off and wipe off the dirt with a dry soft cloth. If it is extremely dirty, use furniture cleaner to wipe it off. To clean the lens, use a blower or lens cleaning tissue. (available from any camera dealer)

## 10. Do not shoot any source of bright light.

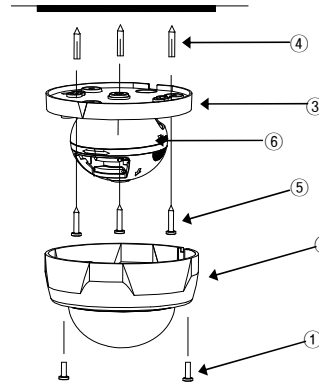
If the objects contain very bright areas, bright vertical or horizontal lines may appear on the screen. This is called "smear", a Phenomenon which often occurs with solid-state pickups, and is not a malfunction.

## 11. Damage Requiring service

Unplug the camera from the power source and refer servicing to qualified service personnel under the following condition:

- If the power-supply cord or plug is damaged.
- If the camera has been exposed to rain or water.
- If liquid has been spilled, or objects have fallen into the camera.
- If the camera does not operate normally by following the operating instructions. Adjust only those controls that are covered by the operating instructions as an improper adjustment of other controls may result in damage and will often require extensive work by a qualified technician to restore the camera to its normal operation.
- If the camera has been dropped or the cabinet has been damaged.
- If the camera exhibits a distinct change in performance.
- Warranty is not covered in case of natural disaster or wrong installation.

## INSTALLATION

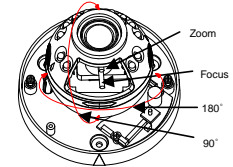


- Remove the screw (1) using screwdriver.
- Separate upper case (2) from bottom case (3).
- Align the camera unit with the surface of the ceiling, make marks on the ceiling in places where the screw holes are to be drilled, and then drill the three holes.
- Insert plastic anchors (4) in a hole.
- Align the three screw holes in the bottom case (3) with the screw holes in the ceiling, and then secure the camera in place by tightening the three screws (5).
- Carry out the settings and adjustments for camera.
- Adjust lens position using camera ball (6) and then connect upper case (2) and bottom case (3).
- Tighten the screw (1).

## IR LED CONTROL(+HDC-890NVA/PVIA ONLY)

- IR LED can be controlled at NIGHTSHOT MODE setting on OSD menu.  
It has three mode: Auto/On/Off.  
IR LED works when NIGHTSHOT set ON.
- IR LED specification is as below.  
a> Diameter: Ø5mm  
b> Light emitting wavelength: 850nm  
c> Viewing angle: 60degree  
d> IR LED Number:16ea
- Visibility Range( IR LED ON): MAX16M.

## LENS ADJUSTMENTS



## CONTENTS OF THE PACKAGE

Check the below contents

- HDC-890A Series Camera set
- Install Accessory
- Install Location Paper
- Operation Manual
- 2'nd Video Cable

## TROUBLESHOOTING

Before sending the camera out for repair, check the items below. If the problem persists after checking these items, contact your service center.

### In case of no image

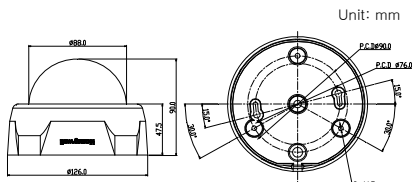
Is the coaxial cable attached securely?  
Are the power and voltage normal?  
Has the iris of the lens inside the camera been adjusted correctly?

### In case of unclear image

Is the lens in focus?  
Is the lens dirty?  
Is the monitor adjusted correctly?

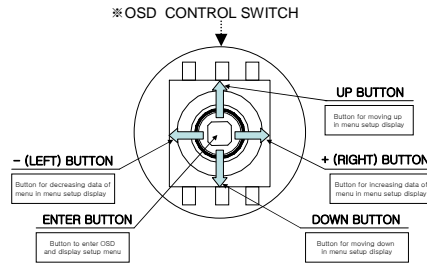
※ Dirt of fingerprints on the lens can adversely affect the images. Gently wipe any dirt or fingerprints off the lens with a soft cloth or lens cleaning paper and cleaning fluid (commercially available).

## DIMENSIONS

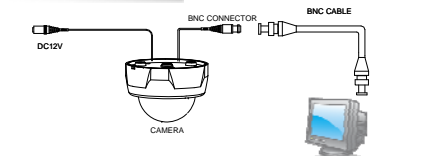


## OSD CONTROL FUNCTION

You can adjust camera function by using OSD control switch in camera.



## CONNECTIONS



⚠ **WARNING**  
Check the polarity of DC 12V before the connection to camera.  
Recommended Power: DC 12V, more than 500mA

## OSD MENU

### GENERAL SETUP

SYNC LEVEL adjustment (0→1→...→255)  
BURST LEVEL adjustment (0→1→...→255)  
CONTRAST LEVEL adjustment (0→1→...→100)  
RETURN

### CAMERA SETUP

AE MODE  
WB MODE  
BLC MODE  
PZM SET  
NIGHTSHOT  
CAMERA ID  
RETURN  
LENS MODE, SHUTTER, AGC, BRIGHTNESS, MAX AGC, MAX FIELDS, etc.  
AWC LOCK, AWC AUTO, AWC CRL, ATW, INDOOR, OUTDOOR, MANUAL, etc.  
OFF, BLC, WDR, BMB and their level, area setting.  
Privacy Zone Masking function setting.  
Day→Night, Night→Day mode setting.  
Camera ID and Position setting.  
Return to the previous menu.

### MEM FUNC. SETUP

DNR MODE  
PIP MODE  
QUAD MODE  
ND MODE  
D.ZOOM  
MIRROR  
STILL  
RETURN  
Digital Noise Reduction mode setting. (OFF→LOW→HIGH)  
Picture-in-picture mode setting.  
Quad display mode setting.  
Motion Detection mode setting.  
Digital Zoom setting. (OFF→1.0x→...→16.0x)  
Mirror mode setting. (OFF→H.MIRROR→V.MIRROR→FLIP)  
Still function setting.(OFF→ ON)  
Return to the previous menu.

### SPECIAL SETUP

SHARPNESS  
GAMMA  
LANGUAGE  
MONO  
RETURN  
Sharpness compensation setting. (0-15)  
Gamma compensation setting. (0.36-1/USER, 8steps)  
OSD Language setting. (ENG, KOR, JPN, CHN1, CHN2)  
Camera color setting as color or black-and-white. (OFF→ ON)  
Return to the previous menu.

### DEFAULT SETUP

FACTORY DEFAULT  
RETURN  
Set to the Factory Default.  
Return to the previous menu.

### EXIT SETUP

SAVE AND EXIT  
EXIT  
RETURN  
Return to the previous menu.

## SPECIFICATIONS

MODEL NAME	HDC-890NVA/PVIA	HDC-890PVA/PVIA
<b>Operational</b>		
Image Standard	NTSC	PAL
Image Sensor	SONY 1/3" Super HAD CCD	
Total Pixel	410,000 Pixels	470,000 Pixels
Effective Pixel	380,000 Pixels	440,000 Pixels
Scanning System	525 Lines, 2:1 Interface	625 Lines, 2:1 Interface
Scanning Frequency	15.734kHz(H), 59.94Hz(V)	15.625kHz(H), 50Hz(V)
Sync System	INTERNAL	
S/N Ratio	More than 50dB	
Min. Illumination	Less than 0.1lx (F=1.2, 50IRE, TDR OFF, MAX FIELDS OFF) Less than 0.0001lx (F=1.2, 50IRE, TDR ON, MAX FIELDS x512) Less than 0lx (TDR ON, IR LED ON) *HDC-890NVA/PVIA ONLY	
Horizontal Resolution	540 TV Lines	
Video Output	VBS 1.0Vp-p / BNC	
Lens Iris Control	MANUAL / DC / VSD	
Electronic Shutter	1/60 ~ 1/100,000 sec	1/50 ~ 1/100,000 sec
AGC	OFF ~ 36dB	
Back Light Compensation	OFF / BLC / WDR / BMB	
White Balance	AWC LOCK / AWC AUTO/AWC CRL / ATW / INDOOR / OUTDOOR / MANUAL	
IR LED On/Off	Auto/On/Off *HDC-890NVA/PVIA ONLY	
Visibility Range(IR LED ON)	Max 16M(Ø5mm,850nm,60degree,16pcs) *HDC-890NVA/PVIA ONLY	
<b>Electrical</b>		
Rated Voltage	DC12V ± 2V	
Power Consumption	HDC-890NVA/PVIA : 1.6W(MAX) / HDC-890NVA/PVIA : 3.2W (MAX)	
<b>Mechanical &amp; Environmental</b>		
Lens Type	Vari-focal Lens (F1.2, f=2.8-10mm)	
Weight	HDC-890NVA/PVIA : 265g / HDC-890NVA/PVIA : 280g	
Dimensions	126[Ø] x 90[H]	
Case Color	White pearl	
Cover Type	Clear Type	
H. Adjustable angle	0° ~ 180°	
V. Adjustable angle	0° ~ 90°	
Operating Temp.	-10°C ~ +50°C	
Storage Temp.	-20°C ~ +70°C	
Operating Humidity	90% RH (non-condensing)	

**Honeywell**

Honeywell Security Group  
Honeywell Co., Ltd.