

HDC-860A Ser.

※ Thank you for choosing Honeywell HCC-860A camera.
Please read these instructions carefully before operating this unit,
and retain this manual for future reference.
If you have any problems with this camera, contact your local
supplier to service.

CAUTION for SAFETY OPERATION



1. Water and Moisture

To prevent fire or shock hazard, do not expose this camera to rain or moisture.

2. Servicing

Do not attempt to disassemble or repair by yourself.
You may be exposed to dangerous voltage or other hazards.
Note that all servicing is qualified service personnel.
Modifications not approved by manufacturer could void the user's authority to operate the equipment.

3. Power Sources

To prevent electric shocks and risk of hazards, do NOT use more than the specified power source.

4. Environment

Do not install too warm or too cold place. Recommended operation temperature is between -10°C and 50°C

5. Sunlight

Do not point the camera at the sun. CCD can be damaged.

6. Heavy Shock and Vibration

Do not drop the camera or subject it to heavy shock of vibration.

7. Install on an Unstable Place

Do not place or install this camera on an unstable place, stand, tripod, bracket or table. That may cause serious injury to people or damage to appliance.

8. When operation is incorrect or a malfunction is observed

While operating, if any abnormal condition (strange sound, smell or smoke) or a malfunction (no pictures, etc.) is observed, stop using the camera immediately, turn the power off, then contact your supplier.

9. Cleaning

Turn the power off and wipe off the dirt with a dry soft cloth. If it is extremely dirty, use furniture cleaner to wipe it off. To clean the lens, use a blower or lens cleaning tissue. (available from any camera dealer)

10. Do not shoot any source of bright light.

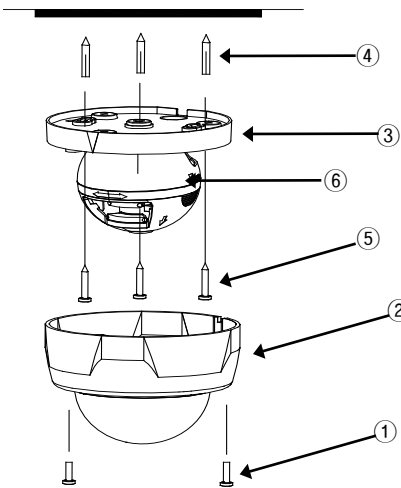
If the objects contain very bright areas, bright vertical or horizontal lines may appear on the screen. This is called "smear", a Phenomenon which often occurs with solid-state pickups, and is not a malfunction.

11. Damage Requiring service

Unplug the camera from the power source and refer servicing to qualified service personnel under the following condition:

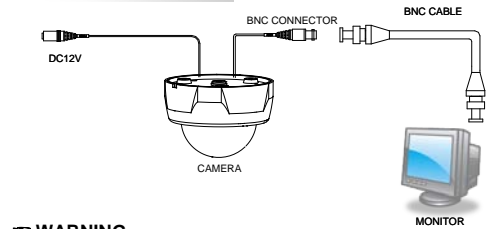
- If the power-supply cord or plug is damaged.
- If the camera has been exposed to rain or water.
- If liquid has been spilled, or objects have fallen into the camera.
- If the camera does not operate normally by following the operating instructions as an improper adjustment of other controls may result in damage and will often require extensive work by a qualified technician to restore the camera to its normal operation.
- If the camera has been dropped or the cabinet has been damaged.
- If the camera exhibits a distinct change in performance.
- Warranty is not covered in case of natural disaster or wrong Installation.

INSTALLATION



- Remove the screw (1) using screwdriver.
- Separate upper case(2) from bottom case(3).
- Align the camera unit with the surface of the ceiling, make marks on the ceiling in places where the screw holes are to be drilled, and then drill the three holes.
- Insert plastic anchors(4) in a hole.
- Align the three screw holes in the bottom case(3) with the screw holes in the ceiling, and then secure the camera in place by tightening the three screws(5).
- Carry out the settings and adjustments for camera.
- Adjust lens position using camera ball(6) and then connect upper case(2) and bottom case (3).
- Tighten the screw(1).

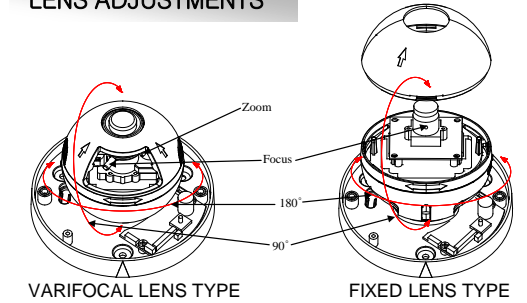
CONNECTIONS



WARNING

Check the polarity of DC 12V before the connection to camera.

LENS ADJUSTMENTS



CONTENTS OF THE PACKAGE

Check the below contents

- HDC-860A Series Camera 1set
- Install Accessory
- Install Location Paper
- Operation Manual
- Second Video Cable

TROUBLESHOOTING

Before sending the camera out for repair, check the items below. If the problem persists after checking these items, contact your service center.

In case of no image

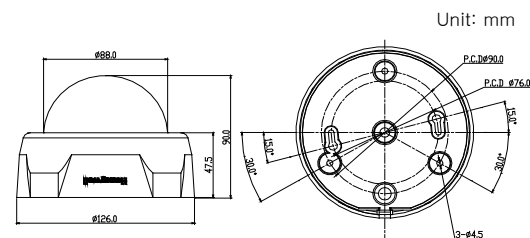
- Is the coaxial cable attached securely?
- Are the power and voltage normal?
- Has the iris of the lens inside the camera been adjusted correctly?

In case of unclear image

- Is the lens in focus?
- Is the lens dirty?
- Is the monitor adjusted correctly?

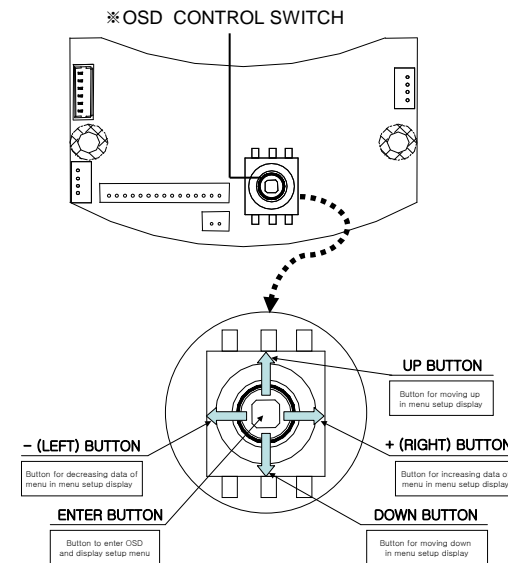
※ Dirt of fingerprints on the lens can adversely affect the images. Gently wipe any dirt or fingerprints off the lens with a soft cloth or lens cleaning paper and cleaning fluid (commercially available).

DIMENSIONS



OSD CONTROL FUNCTION

You can adjust camera function by using OSD control switch in camera.



OSD MENU

GENERAL SETUP

SYNC SYNC LEVEL adjustment (0→1→...→255)
BURST BURST LEVEL adjustment (0→1→...→255)
CONTRAST CONTRAST LEVEL adjustment (0→1→...→100)
RETURN Return to the previous menu.

CAMERA SETUP

AE MODE LENS MODE, SHUTTER, AGC, BRIGHTNESS, MAX AGC, MAX FIELDS, etc.
WB MODE AWCLOCK, AWC AUTO, ATW, INDOOR, OUTDOOR, MANUAL, etc.
BLC MODE OFF, BLC, WDR, BMB and their level, area setting.
PZM SET Privacy Zone Masking function setting.
NIGHTSHOT Day→Night, Night→Day mode setting.
CAMERA ID Camera ID and Position setting.
RETURN Return to the previous menu.

MEM FUNC. SETUP

DNR MODE Digital Noise Reduction mode setting. (OFF→LOW→HIGH)
PIP MODE Picture-in-picture mode setting.
QUAD MODE Quad display mode setting.
MD MODE Motion Detection mode setting.
D.ZOOM Digital Zoom setting. (OFF→1.0x→...→16.0x)
MIRROR Mirror mode setting. (OFF→H.MIRROR→V.MIRROR→FLIP)
STILL Still function setting. (OFF→ON)
RETURN Return to the previous menu.

SPECIAL SETUP

SHARPNESS Sharpness compensation setting. (0-15)
GAMMA Gamma compensation setting. (0.36-1/USER, 8steps)
LANGUAGE OSD Language setting. (ENG, KOR, JPN, CHI1, CHI2)
MONO Color setting as color or black-and-white. (OFF→ON)
RETURN Return to the previous menu.

DEFAULT SETUP

FACTORY DEFAULT Set to the Factory Default.
RETURN Return to the previous menu.

EXIT SETUP

SAVE AND EXIT Return to the previous menu.
EXIT
RETURN

SPECIFICATIONS

MODEL NAME	HDC-860NA-25/36/60, HDC-860NVA	HDC-860PA-25/36/60, HDC-860PVA
Operational		
Video Standard	NTSC	PAL
Image Sensor	SONY 1/3" Super HAD CCD	
Total Pixel	410,000 Pixels	470,000 Pixels
Effective Pixel	380,000 Pixels	440,000 Pixels
Scanning System	525 Lines, 2:1 Interlace	625 Lines, 2:1 Interlace
Scanning Frequency	15.734kHz(H), 59.94Hz(V)	15.625kHz(H), 50Hz(V)
Sync System	INTERNAL	
S/N Ratio	More than 50dB	
Min. Illumination	0.1lx (F=1.2, 50IRE) 0.001lx (F=1.2, 50IRE, MAX FIELDS x512)	
Horizontal Resolution	540 TV Lines	
Video Output	VBS 1.0Vp-p / BNC	
Lens Iris Control	MANUAL / DC / VSD	
Electronic Shutter	1/60 - 1/100,000 sec	1/50 - 1/100,000 sec
AGC	OFF - 36dB	
Back Light Compensation	OFF / BLC / WDR / BMB	
White Balance	AWCLOCK / AWC AUTO / ATW / INDOOR / OUTDOOR / MANUAL	
Electrical		
Rated Voltage	DC12V ± 2V	
Power Consumption	1.5W (MAX)	
Mechanical & Environmental		
Lens Type	Fixed lens(=2.5/3.6/6.0mm) / Varifocal lens(=2.8-10mm)	
Weight	HDC-860NA/PA : 240g / HDC-860NVA/PVA : 263g	
Dimensions	126[Ø] x 90[H]	
Case Color	White pearl	
Cover Type	Clear Type	
H. Adjustable angle	0° - 180°	
V. Adjustable angle	0° - 90°	
Operating Temp.	-10° C - +50° C	
Storage Temp.	-20° C - +70° C	
Operating Humidity	90% RH (non-condensing)	

Honeywell

Honeywell Security Group
Honeywell Co., Ltd.