

## HBB-1100WN

### Image



### Key Features

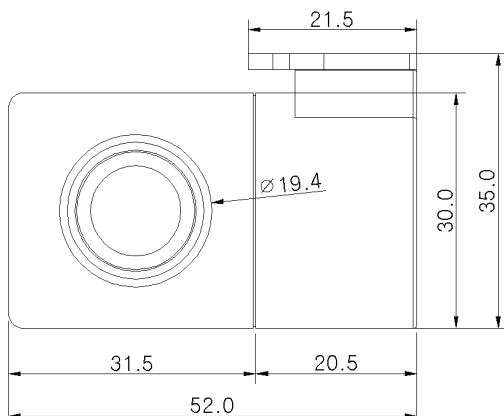
- 300,000Pixels CMOS Sensor
- WDR (Wide Dynamic Range)
- Constant / Event Recording
- Micro SD Card
- Memory Card Format
- Sequential Deletion of Old Images
- 3 axis acceleration sensor

### Ordering Number

- HBB-1100WN-4 : 4GB Micro SD Card
- HBB-1100WN-8 : 8GB Micro SD Card

### Dimensions

Unit : mm



### Technical Specifications

Specification	HBB-1100WN
Camera	WDR CMOS Camera
Resolution	300,000Pixels 640x480(VGA) 30FPS
Video Compression	H.264
Recording Angle	120degrees(diagonal)
Sensor	built-in 3axis acceleration sensor
Recording Type	constant Recording
	Event Recording
Storage	Micro SD Card (2GB~32GB)
Recording Time	2GB :1hr 30mins / 4GB : 3hrs 8GB :6hrs / 16GB : 12hrs
Operating Power	DC12V / DC24V
Operating Temperature	-10°C ~ +50°C
Operating Humidity	20% ~ 80%
Storage Temperature	-10°C ~ +70°C